

FITZROY

Lantern

Our lanterns are built to the highest standards, using the best materials available. All components are non ferrous or stainless steel. We do, however, manufacture these products in keeping with their heritage, thus preserving their historically accurate appearance. At the same time the standard enclosures are rated at I.P.67, except where doors are required for the authentic look, in which case they are rated at I.P.56.

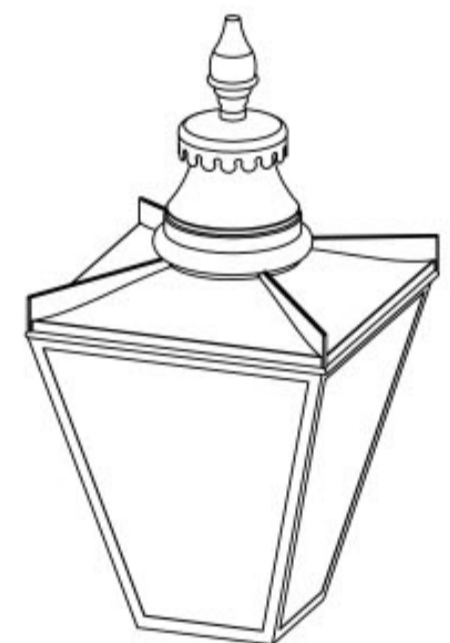
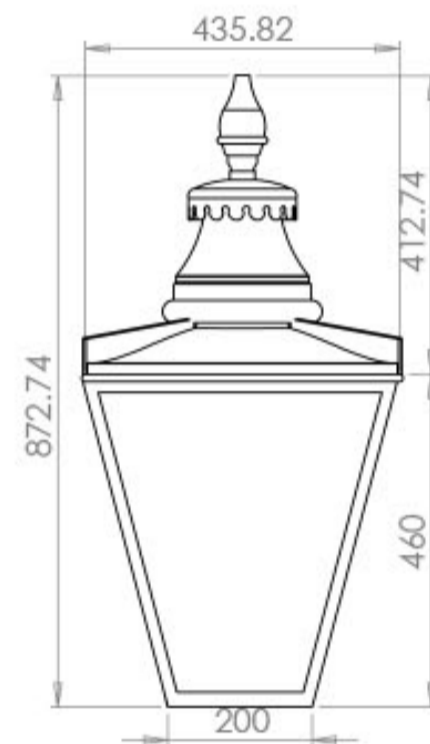


KEY FEATURES

- Our lanterns are built to the highest standards, using the best materials available.
- All components are non ferrous or stainless steel. We do, however, manufacture these products in keeping with their heritage, thus preserving their historically accurate appearance.
- At the same time the standard enclosures are rated at I.P.67, except where doors are required for the authentic look, in which case they are rated at I.P.56.



Download
Fitzroy Lantern Specification



< PREVIOUS LANTERN

NEXT LANTERN >

